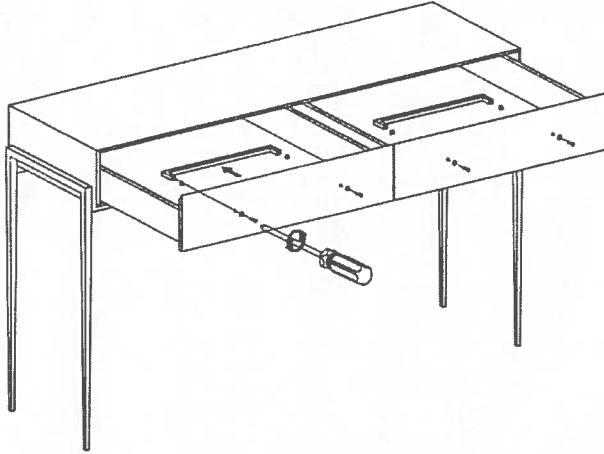


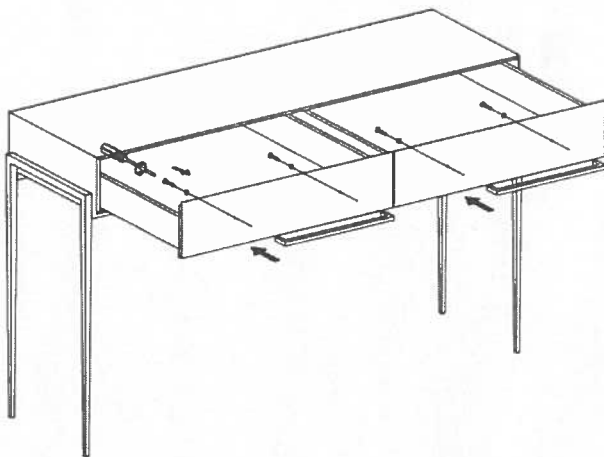
# UTTERMOST

ASSEMBLY INSTRUCTIONS

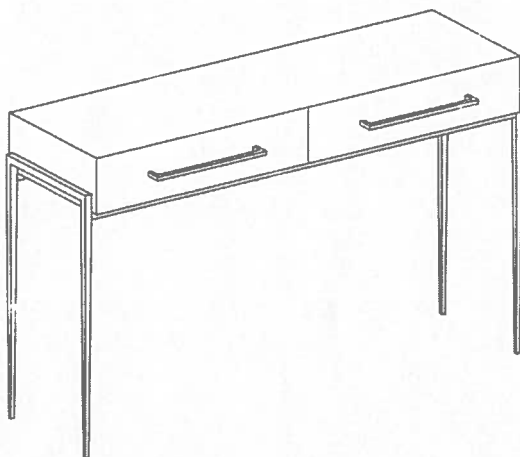
## STYLE:22900



Take the Table carefully out of the carton, and then place them on a flat surface, making sure that the table will not be damaged/scratched.



Drawer handle is pre-assembled reversely, Open the drawer, Disassemble the handle by screwdriver as shown. Re-attach the handle as shown in the figure, Please do not tighten too much.



Please rotate the adjustable foot pad on bottom of the legs to level table.

Assembly is complete.

To Clean, wipe with soft dry cloth.